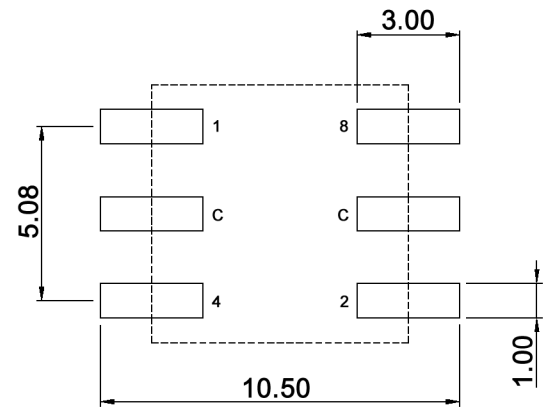


P.C.B. DIMENSION



Hexadecimal

	Real coded				
	C	1	2	4	8
0	●				
1	●	●			
2	●		●		
3	●	●	●		
4	●			●	
5	●	●		●	
6	●		●	●	
7	●	●	●	●	
8	●				●
9	●	●			●
A	●		●		●
B	●	●	●		●
C	●			●	●
D	●	●		●	●
E	●		●	●	●
F	●	●	●	●	●

Compliance: RohS II (2011/65/EU)

Tolerances:			Date	Name
			10/08	dr
Packaging	02/15	dr		
Packaging	05/10	dr		
Soldering conditions	10/09	dr		
Material	05/09	dr		
Modifications	Date	Name		

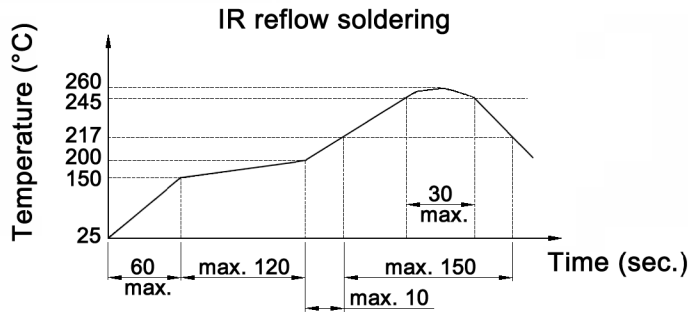
SMR 16016

knitter-switch

30 16 22

Specifications:

Contact rating: non-switching: 400mA, 42V
 switching: 100mA, 42V
Contact resistance: 80mOhm max.
Insulation resistance: 100MOhm min. at 250V DC for 1 minute +/-5sec.
Dielectric strength: 250V DC (50Hz/60Hz) for 1 minute
Operating temperature: -50°C to +125°C
Storage temperature: -55°C to +135°C
Mechanical life: 25 000 cycles
Operating force: 120 +/-30gf/cm
Material: Cover / spring plate / guide plate: stainless steel
 Contact / terminal: phosphor bronze, min. 0.07µm gold plated
 over min. 0.3µm nickel
 Rotor / base: LCP, UL94V-0
 O-ring: silicone
 Actuator color: gray
Protection: IP67
Soldering conditions:

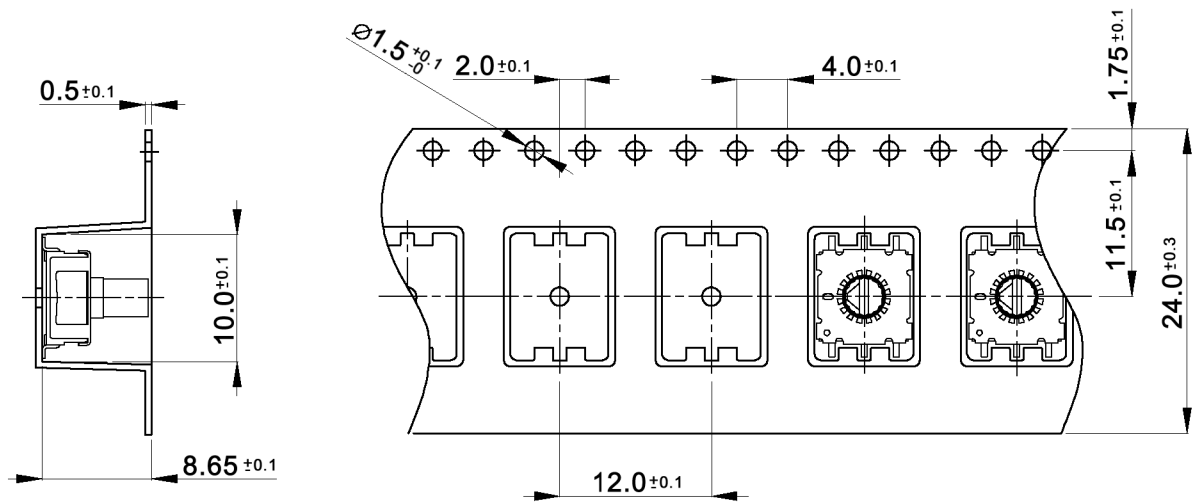
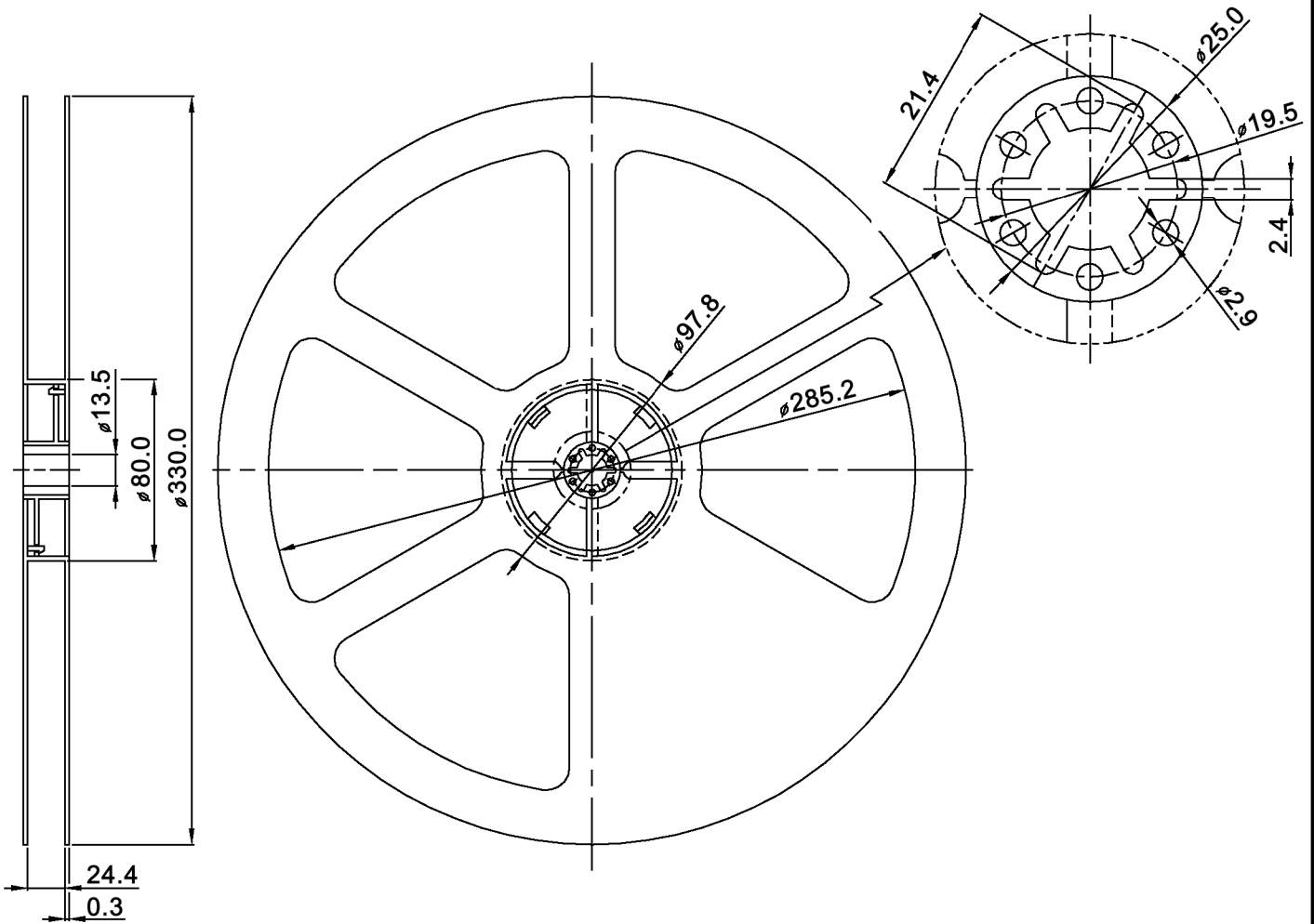


Type	Packaging unit
SMR 16016	70 pcs. per stick
SMR 16016 T	600 pcs. per reel

Compliance: RohS II (2011/65/EU)

Tolerances:	Date	Name	SMR 16016
	10/08	dr	
	knitter-switch		30 16 22
			Page
			2/3
Modifications	Date	Name	

Packaging:



Compliance: RohS II (2011/65/EU)

Tolerances:			Date	Name
			05/10	dr
Modifications	Date	Name		

SMR 16016

knitter-switch

30 16 22

Page

3/3